



Pool lift

Suitable for all types of pools.



Creating barrier-free access to your swimming pool.

Having access to the pool can be very tedious for people of a certain age or with restricted mobility. The BEKA Hospitec Pool Lift enables therapists and patients to carry out therapeutic measures by lifting mobility-restricted people who cannot enter the pool using a ladder or stairs.

Whether above ground, ground level or low level pools – the pool lift is customizable to adapt to all different kinds of needs and pools. The transfer seat can be connected to the lifting column fast and easily using the quick coupling system. It can also be flexibly converted into a full stretcher transfer seat with the optional stretcher modules.





Hand control for height adjustment



Quick coupling system for transfer seat



Suitable for Above-ground pools



Suitable for Floor-level pools



360° rotation



Optional: Stretcher modules

✓ Suitable for all types of pools

Due to the customized fabrication, the BEKA Hospitec Pool Lift can be easily adapted to many different types of pools.

✓ Quick coupling system

The smart design of our lifting column enables a fast and easy connection between the transfer seat and the lifting arm.

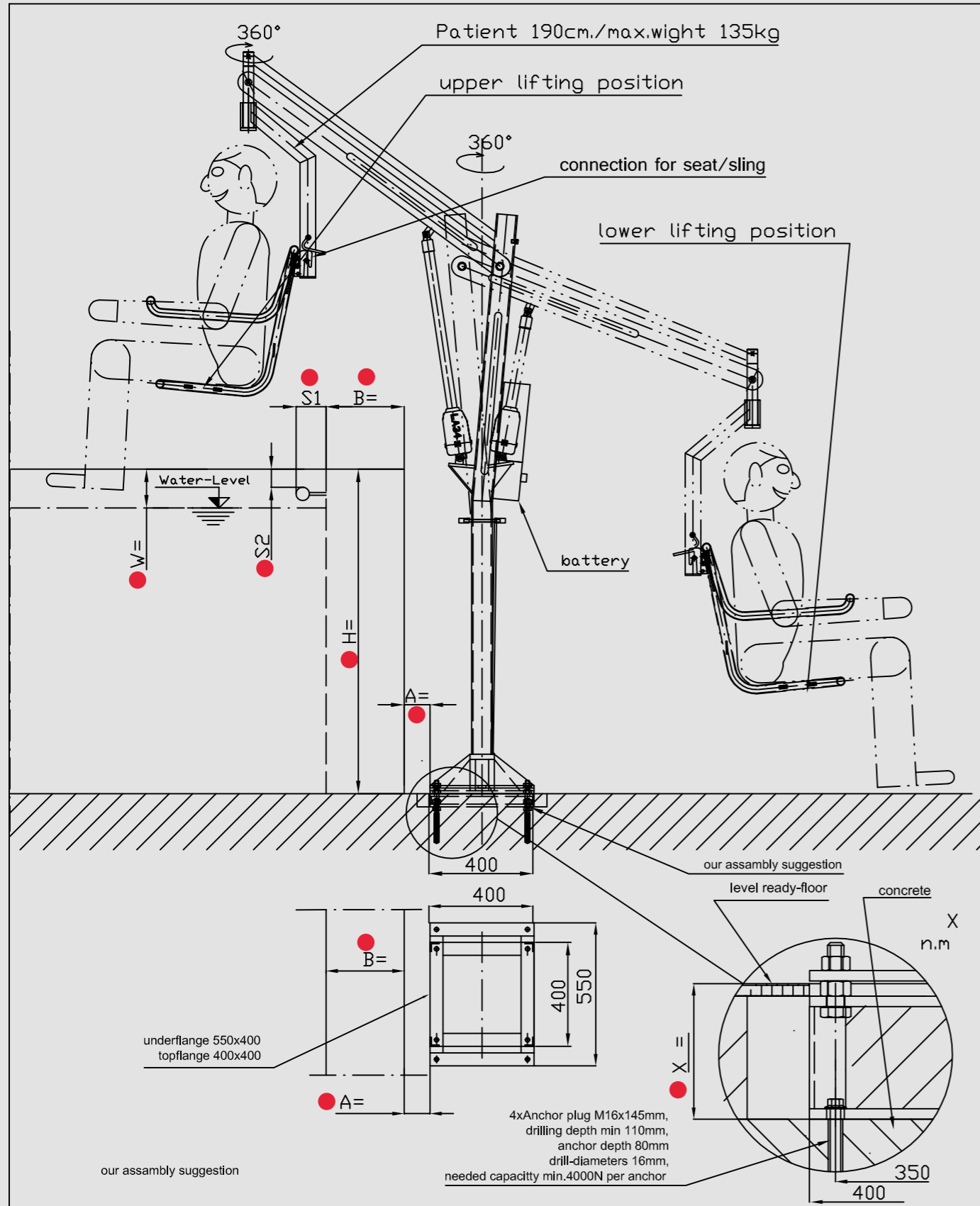
✓ 360° rotation

The BEKA Hospitec pool lift has a rotation range of 360° and lifts up to 135 kg.

✓ Optional: Expandable to a stretcher lifting seat

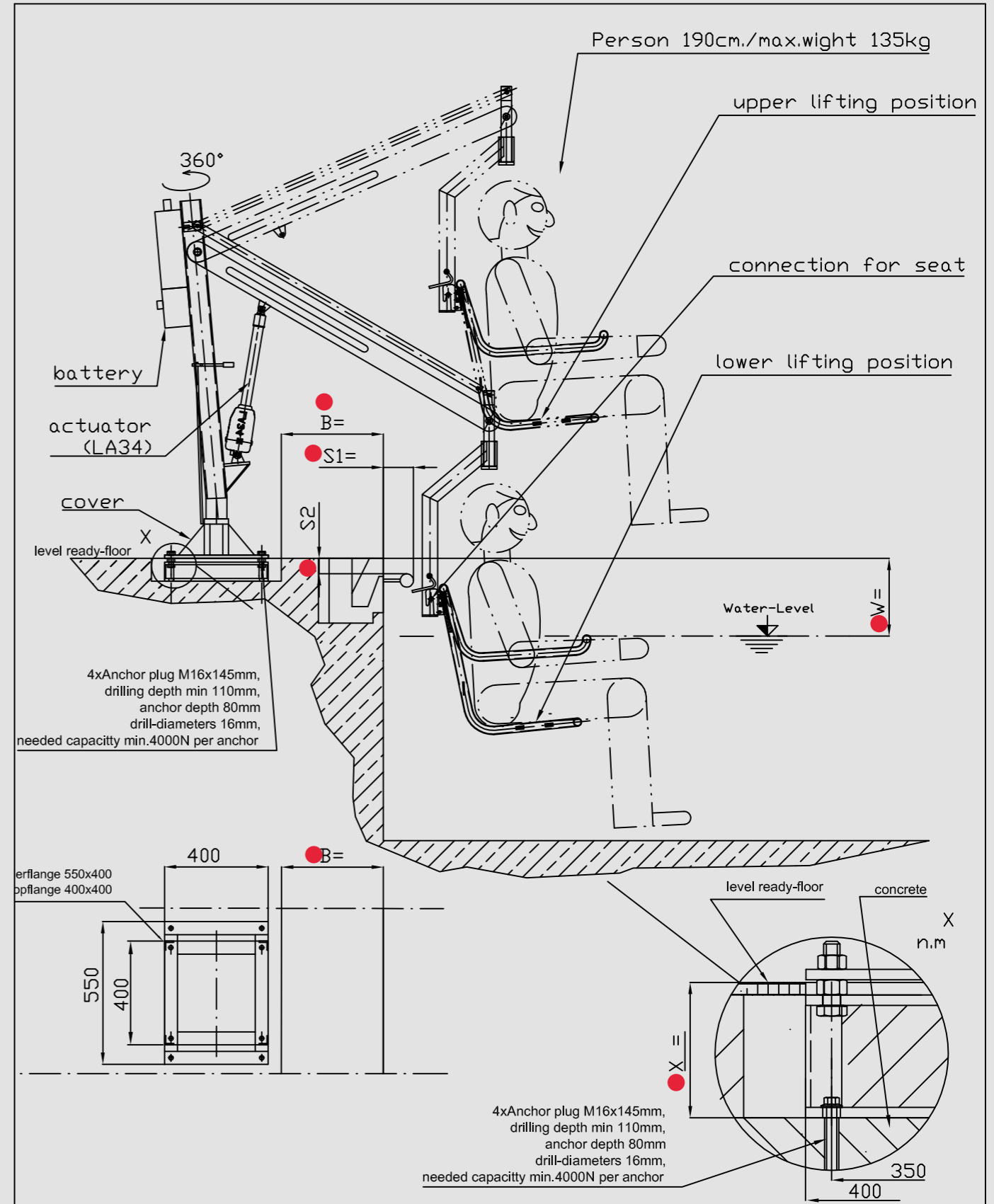
With the stretcher modules the Lifting seat is easily converted into a full stretcher type seat.

Above-Ground pool installation



Always check with on-site installation!

Floor-level pool installation



Always check with on-site installation!



Technical Data

Battery	24 V
SWL	135 kg
Material	V4A stainless steel

Product Information




Floor-flange for insertion of lifting pole
High-quality bush-bearing, 360° rotatable
Fixing-tab locations
2-times closed ball-bearing incl. cover caps
Hand control for height adjustment
Fast coupling of bathing seat or sling bow
Emergency Stop

Available Options

- Stretcher modules
- Footrest
- Side rail
- Spare battery

BEKA Hospitec GmbH
Am Rübenmorgen 3
35582 Wetzlar-Dutenhofen
info@beka-hospitec.de



 Tel +49 641 922 20-0
 Fax +49 641 922 20-20
 www.beka-hospitec.com