



COMPACT Series

The ideal solution for safe and comfortable bathing



COMPACT

Fixed height Care bath
with transfer seat

COMPACT plus

Height adjustable Care bath
with transfer seat

COMPACT solo

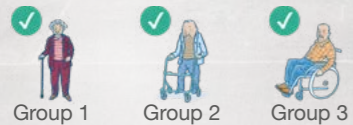
Height adjustable Care bath



Compact care bathtub in
practical versions.

The tub body of all COMPACT models impresses with an extremely ergonomic inner profile despite the small space requirement. With the transfer chair on the models COMPACT and COMPACT plus, you save yourself the need for an additional bath lift!

Thanks to the different models and various wellness and security options, the COMPACT series adapts to a wide range of requirements to fulfill individual customer needs.

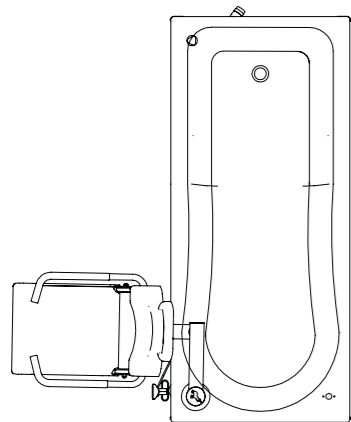


COMPACT models configuration options

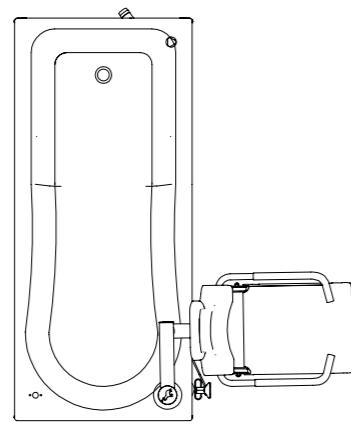


Configuration options

Lifting column for seat system on the left or right side*	✓	✓	
Length Tub Body 62.99 or 66.93 in	✓	✓	✓
Fixed or detachable seating system	✓	✓	



* Lifting column left

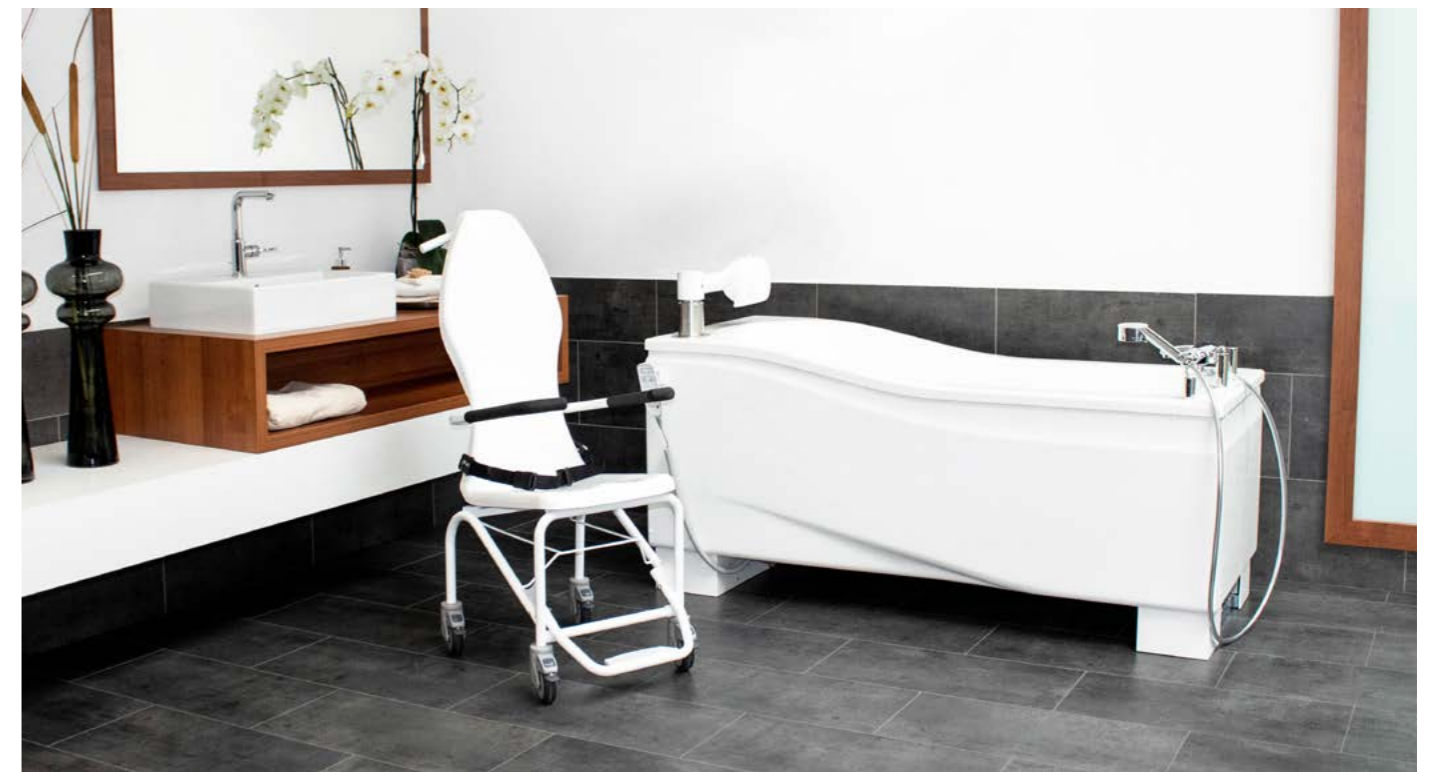


Lifting column right

Removeable transfer seat system for COMPACT & COMPACT plus

With the optional trolley for the transfer seat of the COMPACT and COMPACT plus, the resident can be driven directly to the bath in the transfer seat. Here the seat is hooked into the lifting column and the chassis is removed. Your resident can now be easily and safely lifted into the bathtub.

- ✓ Seamless transition between transfer and bathing
- ✓ Use without an additional lifter
- ✓ Optional: transfer seat with care opening



The transfer seat is placed on the optional trolley and becomes a practical transfer aid in no time at all



Practical click connection of the removable seating system - simple and easy to use



Lap belt ensures more security during transfer with COMPACT and COMPACT plus



Optional: transfer chair with hygiene opening



Ergonomic tub body in compact format for rooms with limited space

✓ Height-adjustable tub, available in different lengths

Choose between a tub length of 62.99 or 66.93 in. The models COMPACT solo and COMPACT plus are electronically height adjustable.

✓ Integrated lifter with swivel function into the tub

The perfect solution to transport residents comfortably and safely into the COMPACT tubs. The use of an additional bath lift is therefore not necessary!

✓ Removable or permanently integrated seating system

Choose your COMPACT bathtub with a permanently integrated transfer seat or removable seating system. With the detachable seat system, you can easily remove the seat from the lifting column and fasten it again with a click.

✓ Optional: Trolley for removable seat

With the optional trolley, you can create a practical transfer chair in no time at all, which fits perfectly with your care tub. The trolley is equipped with 4 steering and braked wheels.



Promote the sensitive perception and relaxation of your residents!

With our exclusive wellness options.



Colored-light system

The Colored-light system creates a relaxing and optically stimulating atmosphere for the well being of your resident. It is equipped with a free choice of colors as well as with an automatic sequence program for color changing.

Airspa system

The Airspa system offers a pleasant and stimulating effect. The pleasing sensation on the skin provides for relaxation and tranquillization, especially for agitated patients while stimulating the perfusion of the skin. The jets are specially protected to prevent bacterial contamination eliminating the need for an internal disinfection device.



Aroma system

The integrated Aroma system allows the application of various scents, that together with the warm air from the Air-Relax system and the bathing water, offer a wonderful experience for the senses of your resident. The system is easy to operate and maintenance-free. This option is only available in combination with the Air-Relax system.



Music-sound system

While bathing, the residents can enjoy a relaxing and stimulating sound experience with the optional music sound system. Connect your device via Bluetooth or USB, and provide your individual music selection.












Technical Data

	COMPACT	COMPACT plus	COMPACT solo
Length (optional)	62.99 in or 66.93 in	62.99 in or 66.93 in	62.99 in or 66.93 in
Width	29.53 in	29.53 in	29.53 in
Lifting height tub	30.71 in (working height)	30.71 - 42.52 in	30.71 - 42.52 in
SWL Seat	330 lbs	330 lbs	x
SWL Tub	617 lbs	617 lbs	617 lbs
Lifting height seat	14.57 - 34.25 in	16.73 - 36.42 in	x

Product Information

Ergonomic inner tub body
Electronic height adjustment via hand control (COMPACT solo, COMPACT plus)
Integrated lift column with seat for transfer (COMPACT, COMPACT plus)
Removable or permanently integrated seating system (COMPACT, COMPACT plus)

Available Options

-  Aroma system
-  Automatic tub filling
-  Colored-light system
-  Emergency function in case of power failure
-  Airspa system
-  Toilet seat with hygiene opening
-  Music-sound system
-  Trolley for removable seat
-  Bluetooth-music-sound system

BEKA Hospitec GmbH

Am Rübenmorgen 3
35582 Wetzlar-Dutenhofen
info@beka-hospitec.de



Tel +49 641 922 20-0



Fax +49 641 922 20-20



www.beka-hospitec.com